



SIRENA DE RETROCESO EMA-71 12 VCC



FEATURES:

- High Output
- Wide Voltage Range
- High Reliability

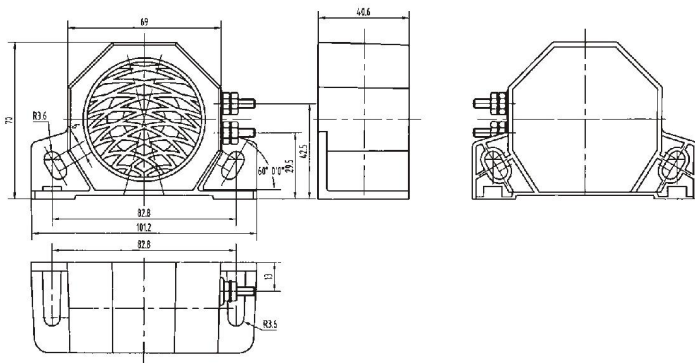
APPLICATIONS:

- Automatic Control Equipment
- Back A Car Alarm
- Alarm Systems

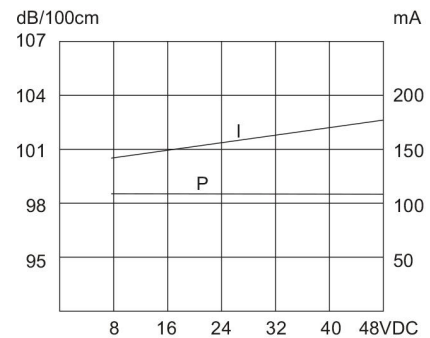
PACKING INFORMATION:

- Packing: 32X25X19cm
- G.W.: 10.7kgs N.W.: 9.7kgs

DIMENSIONS: (Unit: mm)



CHARACTERISTICS:



Model No.	EBA-71
14VDC /100cm	97dB(A)
Rated Voltage	14VDC
Operating Voltage	12~48VDC
Max. Consumption at 14VDC	400mA
Oscillating Frequency	1200± 200Hz
Tone Nature	Slow Pulse (1.2Hz±20%)
Operating Temperature	-20~+70°C
Case Material/Color	PA66/Black
Weight	265g